



Note: Read the corresponding technical documentation for handling and safety reasons.

K-Connect Capillaries, Fittings and Start-Up Kits

AZURA® analytical K-Connect start-up kits

The AZURA® Analytical K-Connect Start-Up Kits AZF40, AZF50, AZF60 and AZF 80 contain capillaries in several lengths as well as adaptors and connectors. Material: Stainless steel.

Use the following lists for future orders and for ordering additional lengths.

Start-up kit		Included Items	
Order no.	ID	Capillary lengths	Adapters and connectors
AZF40	0.10 mm	<ul style="list-style-type: none"> 1 x 300 mm 2 x 400 mm 2 x 700 mm 1 x 900 mm 	<ul style="list-style-type: none"> 1 Connector stainless steel 1 Connector PEEK 10 Wrench-tight fittings stainless steel 2 Finger-tight fittings stainless steel 2 Finger-tight fittings PEEK 5 adapters for AZURA® L-devices capillary guidance
AZF50	0.18 mm		
AZF60	0.45 mm		
AZF80	0.1 mm & 0.18 mm		

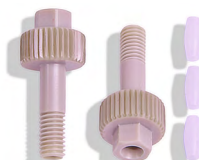
K-Connect capillaries

The capillaries are color-coded according to their inner diameter (ID).

ID	0.1 mm	0.18 mm	0.45 mm	
Color code	Red	Yellow	Black	
Length	Order No.	Order No.	Order No.	Recommended for connection of
150 mm	AZF41	AZF51	AZF61	Filters in the system, column selection valves and columns
300 mm	AZF42	AZF52	AZF62	Pump and manual injection valve, detector 1 and detector 2
400 mm	AZF43	AZF53	AZF63	Column and detector, manual injection valve and column
700 mm	AZF44	AZF54	AZF64	Autosampler and column, pump and autosampler (only 1 detector in between)
900 mm	AZF45	AZF55	AZF65	Pump and autosampler (2 detectors in between)

K-Connect fittings

	Stainless steel long	PEEK long	Stainless steel standard
Description	Fingertight with wrench flat	Fingertight with wrench flat	Wrench flat
Order no.	A9645 (set of 2 pieces)	A9646 (set of 2 pieces)	A9647 (set of 2 pieces) A9647-1 (set of 10 pieces)



Installation guide

K-Connect finger-tight fittings, stainless steel (order no. A9645)

1. Thread fitting onto capillary.
2. Thread the stainless steel ferrule onto capillary, pointed side facing the nut.
3. Add the sealing ring with the flat side facing the nut.
4. Screw everything into thread and tighten nut finger-tight. The connection should be tight up to 700 bar. If higher pressure rating should be achieved, use a wrench to tighten the nut even further, max. 3 Nm.

K-Connect finger-tight fittings, PEEK (order no. A9646)

1. Thread fitting onto capillary.
2. Thread the biconical sealing ferrule onto capillary.
3. Screw everything into thread and tighten nut finger tight.

K-Connect wrench-tight fittings, stainless steel (Order no. A9647/-1)

1. Thread fitting onto capillary.
2. Thread the ferrule onto capillary, flat side facing the nut.
3. Screw everything into thread and tighten nut with 1/4-inch wrench with up to 5 Nm.

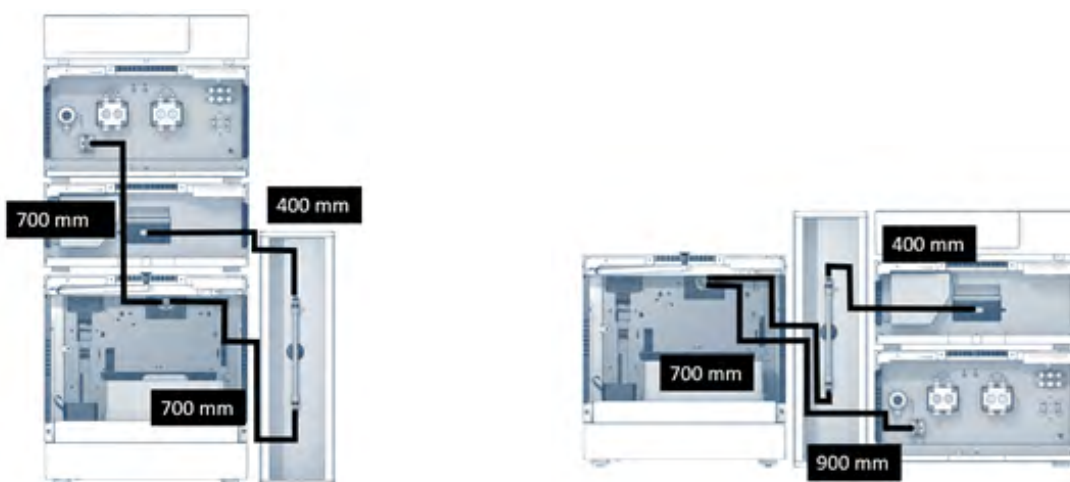


Examples for connections of K-Connect capillaries

Please note that detectors and flow cells with PEEK or polymer inlet should often be connected using PEEK fittings. Make sure to use the best suited fitting by reading the manual or supplement of the detector/flow cell.

For the low dispersion Kit AZF80, please use the red marked 0.1 mm ID capillaries to connect the autosampler to the column and the column to the detector. For all other connections, please use the yellow marked 0.18 mm ID capillaries.

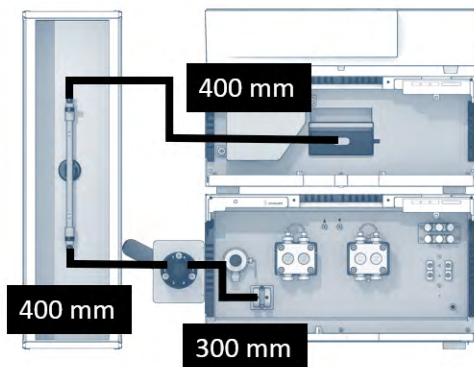
System 1: AZURA® analytical with autosampler and DAD



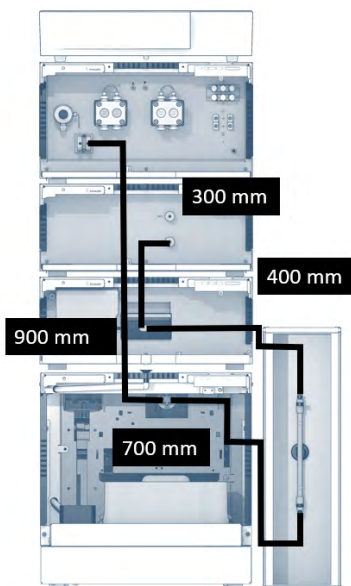
Configuration A: Devices built up as a tower

Configuration B: Devices next to each other

System 2: AZURA® analytical with manual injection and DAD



System 3: AZURA® analytical with autosampler, DAD and RI detector



System 4: AZURA® analytical with manual injection, DAD and RI detector

